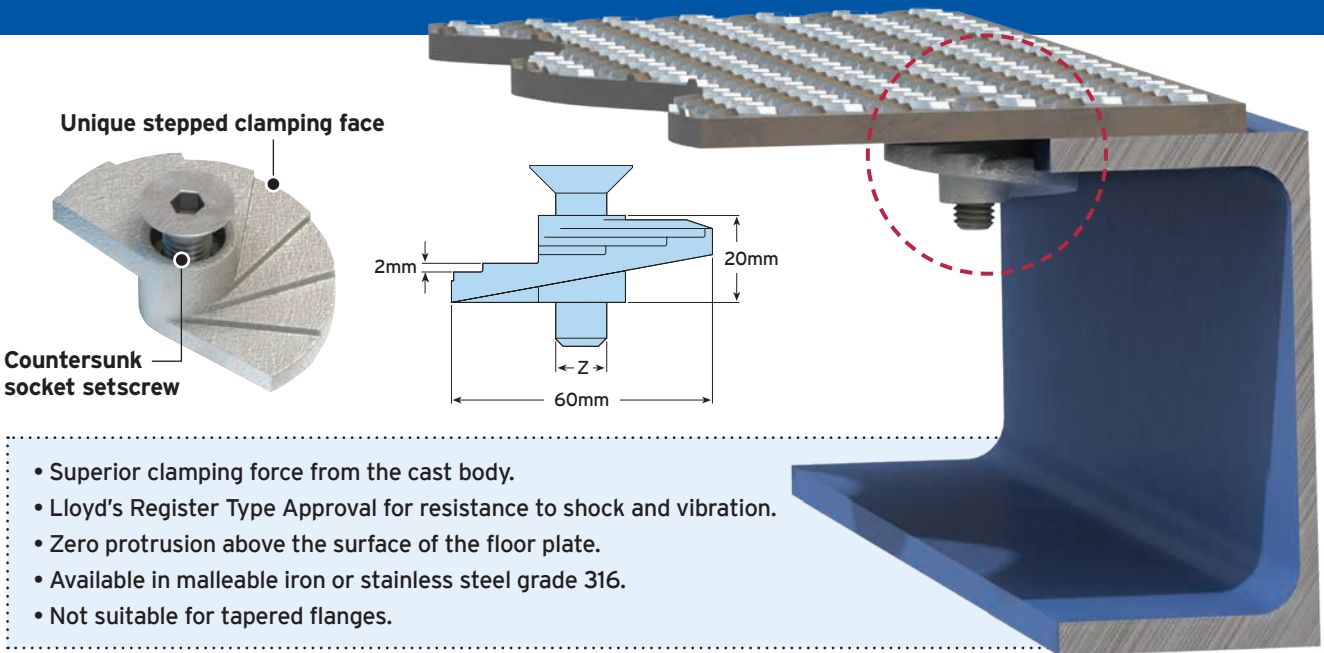


Type FF - FloorFast®

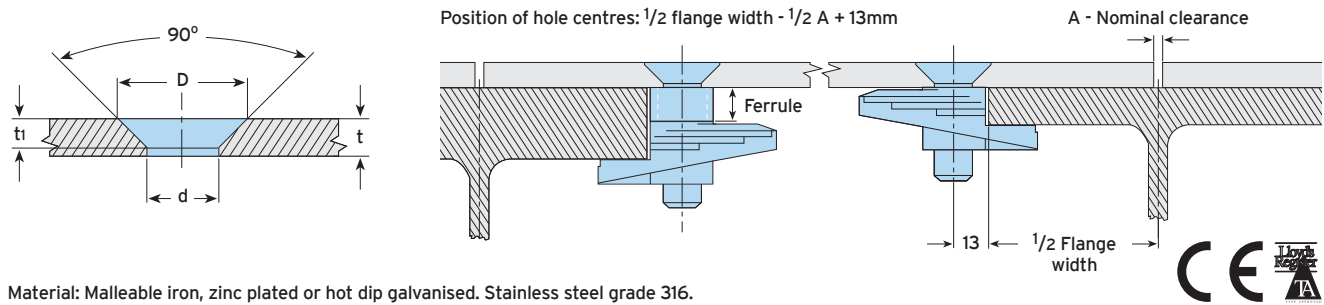
Securing chequer plate flooring to supporting steelwork can be carried out quickly and safely from above, often by one person, significantly reducing costs. The stepped clamping face locks under the steelwork to provide a secure connection.



Unique stepped clamping face

Countersunk socket setscrew

- Superior clamping force from the cast body.
- Lloyd's Register Type Approval for resistance to shock and vibration.
- Zero protrusion above the surface of the floor plate.
- Available in malleable iron or stainless steel grade 316.
- Not suitable for tapered flanges.



Material: Malleable iron, zinc plated or hot dip galvanised. Stainless steel grade 316.



Code	Bolt min 4.6 ¹⁾ Z	Floorplate Thickness t mm	Standard - mm	Flange Thickness With Ferrule ²⁾			Dimensions						
				10 mm	20 mm	30 mm	Hole Ø d mm	Countersunk Ø for Bolt		Countersunk Depth for Bolt		Tightening Torque Nm	Hexagon Key mm
							BZP D mm	HGD D mm	BZP t ₁ mm	HGD t ₁ mm			
FF08	M8	4.5 - 12	3 - 15	13 - 25	23 - 35	33 - 45	9	17	-	4	-	11	5
FF10	M10	5 - 12	3 - 15	13 - 25	23 - 35	33 - 45	11	21	19	5	4	22	6
FF12	M12	6 - 12	3 - 15	13 - 25	23 - 35	33 - 45	13.5	25	23	5.8	4.8	22	8

1) Hot dip galvanised M10 and M12 versions are supplied with a slotted countersunk screw.
2) To order FloorFast with a ferrule, simply add ferrule size to product code.

▶ Designed for pedestrian walkways only.

How to install...

- 1) Assemble bolt and FloorFast through the chequer plate.
- 2) Align castings with the straight edge parallel to the edge of the plate and hand tighten.
- 3) Lay the floorplate into position.
- 4) Using a hexagon key release countersunk screw one full turn.
- 5) Tighten down the countersunk socket screw.

▶ Watch the installation video at www.Lindapter.com

Removal: Using a hexagon key, give the FloorFast one full anti-clockwise turn to release the connection from the flange.

CE For Characteristic Resistances when designing a connection to Eurocode 3, please refer to DoP No.013 on the website www.Lindapter.com

GIRDER CLAMPS
RAIL FIXINGS
LIFTING POINTS
HULLO-BOLT
FLOOR FIXINGS
SUPPORT FIXINGS
DECKING FIXINGS