



# safestor™

Product code: HMC2

- » Hazardous storage cupboard for storing flammables or chemicals.
- » Liquid-tight sump to contain spillages.
- » Swivel castor wheels make it easier to move around.



## Product features



Cam lock



75mm castor wheels



COSHH compliant



Fire resistant



Safety signage



Sump capacity

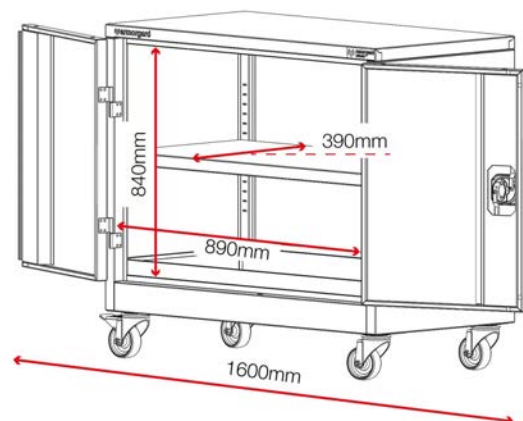
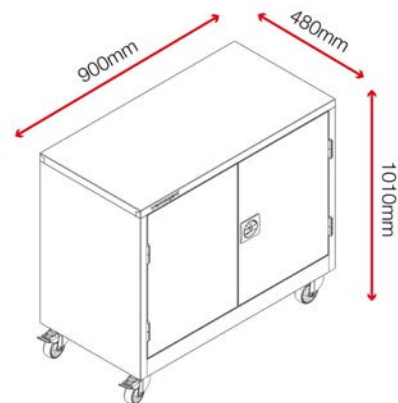


UDL per shelf

## Specifications

Weight	33kg
Colour	Traffic yellow: RAL 1023
Suitable for	Indoor storage of flammables or chemicals
Finished coating	Powder coated
Material & thickness	0.9mm steel
Quantity of keys	2 keys
How are castors fitted?	Bolted on
Other sizes available	8 other sizes
Ventilation	No
Qty of shelves as standard	1 shelf

## Dimensions - External dimensions includes protrusions



## Optional extras - Contact Armorgard to find out more



SafeStor shelf SHE-HFC-C

Disclaimer: all dimensions and weights are approximate