



flambank™

Product code: FBC5

- » Secure hazardous vault for storing hazardous goods safely.
- » Fully welded sump helps contain any leakages.
- » Ventilation allows airflow and helps prevent the build-up of fumes.



Product features



2x 5-lever deadlock



Gas strut (1000N)



Forklift skids



COSHH compliant



Sump capacity
138L



Fire resistant



Lid safety stay

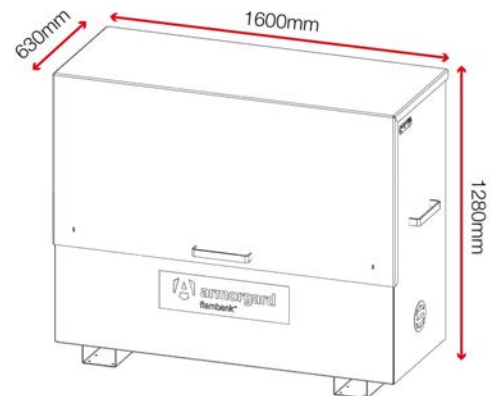


Safety signage

Product specifications

Weight	174kg
Colour	Traffic red: RAL 3020
Suitable for	Outdoor storage of flammables or chemicals
Finished coating	Powder coated
Material & thickness	2mm and 3mm steel
Quantity of keys	3 keys
How are castors fitted?	Quick-fix bolt on castor kit
Other sizes available	6 other sizes
Ventilation	Yes
Qty of shelves as standard	1 shelf

Dimensions - External dimensions includes protrusions



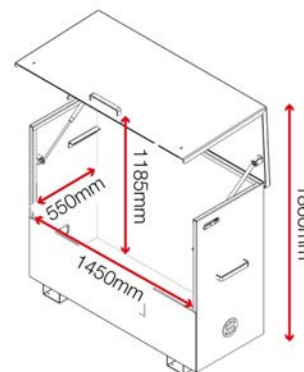
Optional extras - Contact Armorgard to find out more



Castor Kit CASS1



Additional shelf SHE-CH5



Disclaimer: all dimensions and weights are approximate