



chembank™

Product code: CBC4

- » Secure hazardous vault for storing chemicals safely.
- » Ventilation allows airflow and helps prevent the build-up of fumes.
- » Unique external and internal anti-jemmy system.



Product features



2x 5-lever deadlock



Gas strut (1000N)



Forklift skids



COSHH compliant



Sump capacity



Fire resistant



Lid safety stay

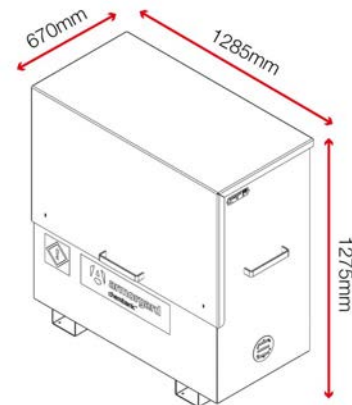


Safety signage

Product specifications

Weight	150kg
Colour	Traffic yellow: RAL 1023
Suitable for	Outdoor storage of chemicals
Finished coating	Powder coated
Material & thickness	2mm and 3mm steel
Quantity of keys	3 keys
How are castors fitted?	Quick-fix bolt on castor kit
Other sizes available	1 other size
Ventilation	Yes
Qty of shelves as standard	1 shelf

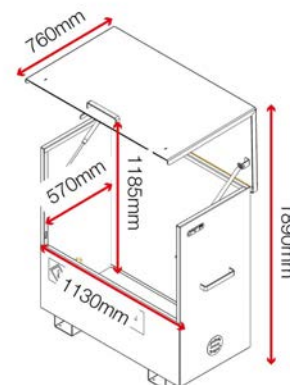
Dimensions - External dimensions includes protrusions



Optional extras - Contact Armorgard to find out more



Castor kit CAS160-KS-FX-SB-CP



Disclaimer: all dimensions and weights are approximate